

# ARC<sup>TM</sup>

**ACCESSORY/REAR CAMERA PRODUCT SERIES**

## Chrysler/Dodge/Jeep Remote Add-On CD Player

### ARC-GRANDANGO INSTALLATION MANUAL

*Full plug and play kit, factory fit for vehicles  
with RA1, RA2, RA3, or RA4 radios.*

#### Required for Install:

1. Chrysler/Dodge/Jeep vehicle with Uconnect 3.0, 5.0, or 8.4" Touch Screen.
2. ARC-GRANDANGO Installation Kit

#### Vehicle Applications:

- 2014+ Grand Cherokee, Durango.



#### ARC-CDJPLAYER Kit Contents:

1. ARC-CHRY52R2 T-Harness
2. 5091245AE OEM Remote CD player
3. 68212885AA Factory Mounting Insert
4. RAMROD-EXT Remote CD Player Harness – 15 foot
5. 257357 Configurable Module to enable CD Player – Does **not** require dealer programming



#### Notice:

\*\*All information provided in this instructional guide is given on an as-is basis. All wires should be verified and tested for functionality before any connections are made. All wiring connections should be made using OEM approved wire repair techniques which include, but are not limited to, soldering and heat-shrinking all connections. When screwing or drilling, verify clearance on opposite side of work surface. Professional installation is recommended\*\*

# Step 1: Wiring Connections and Module Configuration

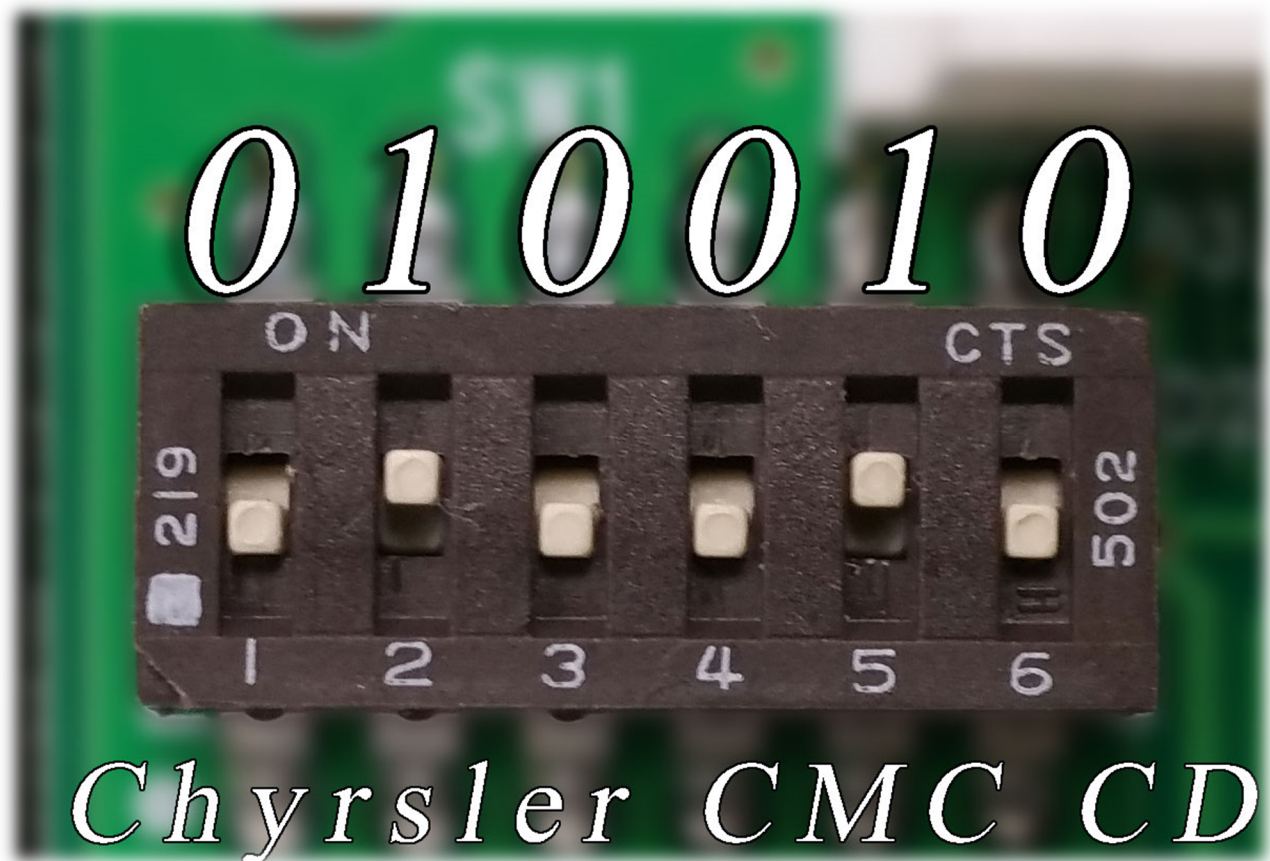
**Important Note:** Radio will not function without either the 257357 module **or** the 6-to-4 pin jumper installed.

**DIP SWITCHES ON MODULE MUST BE SET BEFORE USE!!**

Set DIP switches to match the following diagram.

Remove radio and install provided ARC-CHRY52 T-Harness. You will need to remove the 6-to-4 pin jumper from the T-Harness and replace it with the provided 257357 module.

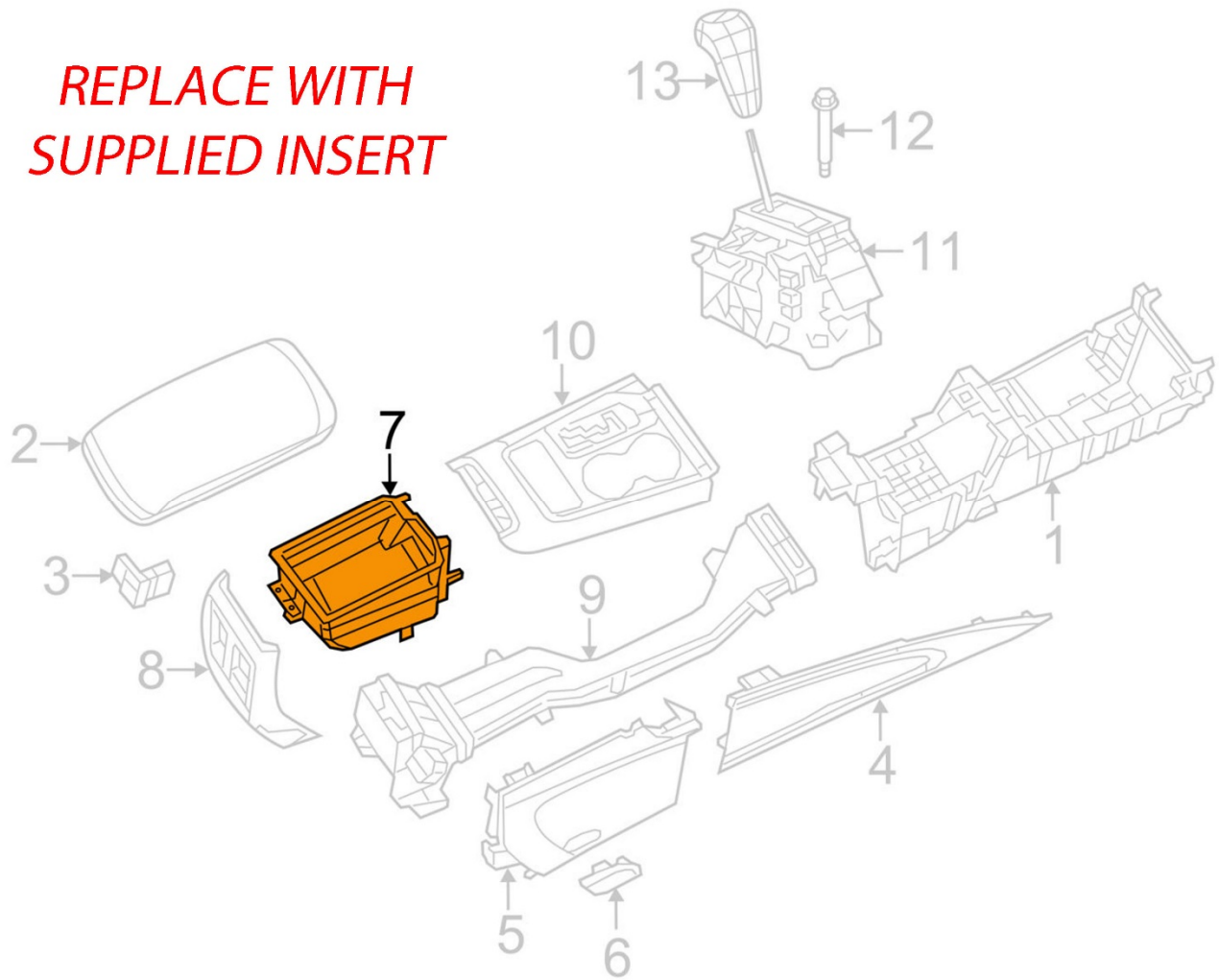
Connect module and harness before connecting radio.



Install T-Harness behind radio, and push all wiring and modules back in to dash to allow room for reinstallation of radio. Route RAMROD-EXT to desired CD Player mounting location.

## Step 2: Mounting and wiring installation

**REPLACE WITH  
SUPPLIED INSERT**



Disassemble factory center console to gain access to bin insert under armrest. Route extension harness from the T-Harness behind the radio to the location of the CD player, as pictured.

Install CD player into supplied insert, and install into center console.

## Step 3: Demonstration & Troubleshooting

Once install is finished, replace all panels and ensure cabling is ran in a way that will not pinch or damage wiring. “Disc” will become a new source on the customer’s radio.

**For RA1 or RA2** radios if “Disc” does not appear under the source menu, with all doors shut and vehicle powered down, disconnect the negative side of the battery. Leave disconnected for 5 minutes. Once reconnected, power on vehicle, allowing radio to fully power on. Once powered on, turn vehicle off, open and close door, and allow 5 additional minutes for the vehicle to fully “go to sleep”. Turn vehicle on again and “Disc” should be populated under the sources menu.

The 257357 module must always be connected to the harness and left there before the radio is plugged in.

### **Note for RA2 Radios:**

If after performing the above procedures, “Disc” does not become a source option on the RA2 Radio, the radio will require dealer programming. Have your dealership add the **RH1 Sales Code** to the vehicle as a dealer installed accessory and update the vehicle accordingly.

## Technical Support:

If you need technical support on this product, please contact the supplier you purchased it from and have your invoice number ready.